

Installation Manual:

ID-4 4 Key Compact Controller

NOTE: Do not install and/or operate this product unless you have read and understand all the safety information and instructions contained in this manual.

IMPORTANT!

This manual provides all the necessary information for your product to be properly and safely installed. Please read all instructions before installation, and make sure you follow them carefully during the installation process. Failure to follow these instructions may result in **DAMAGE** to the product or vehicle, and/or **SERIOUS INJURY** to you and your passengers!



Product Code	ID-4		
Voltage	10-30 VDC		
Output	0.2Amp per cable		
IP Rating	IP65		
Dimension	38mm X 75.8mm X 23.8mm		
Options	- Adjustable Arm Mount - Motorcycle Handle-Bar Clamp		
Wiring Diagram	Button	Function	Amp
Red	-	Positive	-
Black	-	Negative	-
Yellow	P1	Output	0.2A
Blue	P2	Output	0.2A
Purple	P3	Output	0.2A
White	P4	Output	0.2A

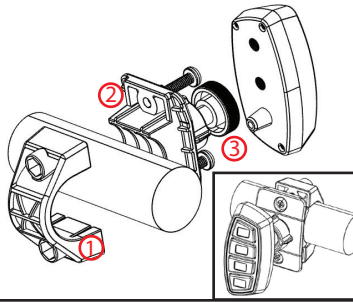
Functions and Programming

Default	
	All buttons are default as ON/OFF Button

Momentary Switch Programming	
Function	To set function buttons as momentary switch
	- Push the button for 5 second to set as momentary switch. - Push the button for another 5 second to set as momentary switch.

Adjustable Arm Mount	
	<h3>Installation</h3> <p>Attach and secure the controller onto the panel stand. Place the device onto a clean desired surface, where it can be easily accessible to the user. Use the attached adhesive pad* to secure the device onto the surface. Should you wish to remove / re-locate the controller, you may use alcohol or similar cleaning formula to remove the left-over adhesive residue.</p> <p>* The supplied adhesive pad is designed for one time use. You may replace it with other double side adhesive tapes.</p>

Motorcycle Handle-Bar Clamp



Installation

- Secure clamp mount part #3 onto the controller.
- Use the supplied screws to secure clamp mount part #1 and #2 onto your desired mounting location. Use the supplied rubber pad to help adjusting the grip and size of the mount.
- Insert clamp mount part #3 into part #2. Adjust the angle and tighten the part.

Manufacturer Limited Warranty Policy: Manufacturer warrants that on the date of purchase this product. This Limited Warranty extends for Thirty Six (36) months from the date of purchase.

DAMAGE TO PARTS OR PRODUCTS RESULTING FROM TAMPERING, ACCIDENT, ABUSE, MISUSE, NEGLIGENCE, UNAPPROVED MODIFICATIONS, FIRE OR OTHER HAZARD; IMPROPER INSTALLATION OR OPERATION; OR NOT BEING MAINTAINED IN ACCORDANCE WITH THE MAINTENANCE PROCEDURES SET FORTH IN MANUFACTURER'S INSTALLATION AND OPERATING INSTRUCTIONS VOIDS THIS LIMITED WARRANTY.