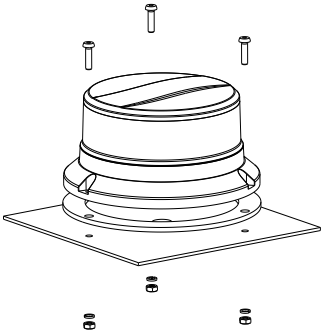
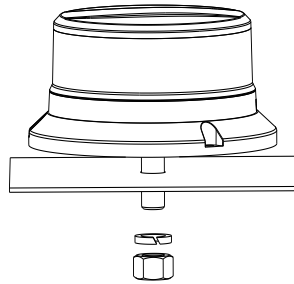


MOUNTING

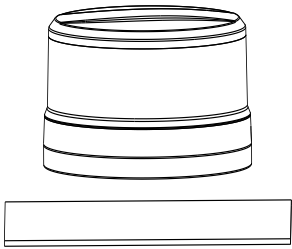
Three bolts



Single point

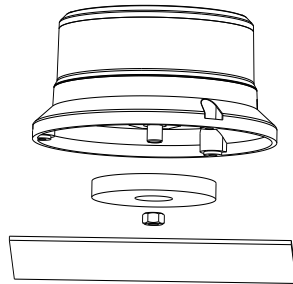


Super Magnet



~ Max speed:
 ~ 240KM/h

Magnet



~ Max speed:
 ~ 120KM/h

TECHNICAL SPECIFICATIONS

Item	112SR-3B	112SR-SP	112SR-120M	112SR240M
Color	Single			
Voltage	10-30VDC			
MAX Power	18W			
Optical	Reflex			
LED	18pcs 3W			
Flash patterns	10			
Operating temp	-30 to 70°C			
Mounting	Three Bolts	Single Point	Magnet	Super Magnet

WIRING

112SR-3B/SP

RED — For power supply to 10-33VDC

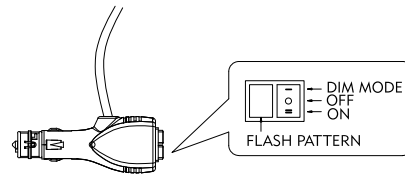
BLACK — GND

YELLOW — Synchronization, flash pattern selection and reset

WHITE — Dim Mode

- Connect YELLOW wires of all beacons together for synchronization
- To change flash patterns, apply V+ to Yellow wire for 1 second and release
- Flash patterns will be reset when YELLOW wires are connected to RED wire for more than 5 seconds
- Connect WHITE wire to V+ to activate Dim mode

112SR-120M/240M



FLASH PATTERNS

1	Single (ECE R65)	6	Super Warp
2	Quad 2HZ	7	Tripe to single
3	Lite speed 2HZ	8	Dual to single
4	Single 3HZ	9	Rotate 2HZ
5	Quad 3HZ	10	Rotate 3HZ